



4700 W. 160th St.  
Cleveland, Ohio 44135  
Ph: (800) 321-9532  
Fax: (800) 321-9535  
www.oatey.com

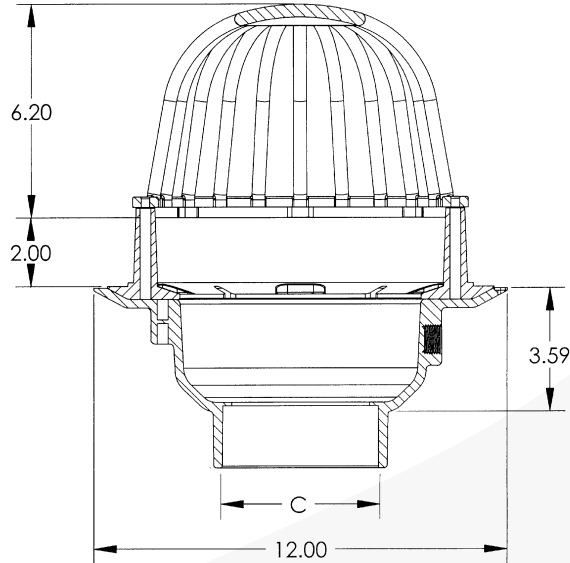
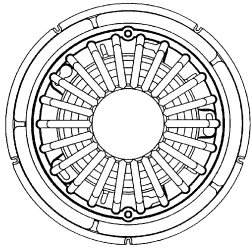
## 78000 Series PVC Roof Drains With Dome And Dam Collar



### SUBMITTAL SPECIFICATION

**Engineering Specification:** The Oatey Roof Drain offers superior drainage with robust debris protection. A dome free-flow area over 200 square inches, available in cast iron or plastic domes with 2 inch water dam collar.

Job Reference



(All dimensions in inches)

- Primer tap knock-out is 1/2 in. FIP thread.

✓	Socket Size (C)	Base Material	Dome Material	Part Number
	2 in.*	PVC	ABS Plastic	78032
	2 in.*	PVC	Cast Iron	78042
	3 in.	PVC	ABS Plastic	78033
	3 in.	PVC	Cast Iron	78043
	4 in.	PVC	ABS Plastic	78034
	4 in.	PVC	Cast Iron	78044
	6 in.	PVC	ABS Plastic	78036
	6 in.	PVC	Cast Iron	78046

\*2 in. base includes 3 in. x 2 in. bushing.

Dome Properties	
Finish	Open Area
ABS Plastic	200.00 in. <sup>2</sup>
Cast Iron	200.00 in. <sup>2</sup>



4700 W. 160th St.  
Cleveland, Ohio 44135  
Ph: (800) 321-9532  
Fax: (800) 321-9535  
www.oatey.com

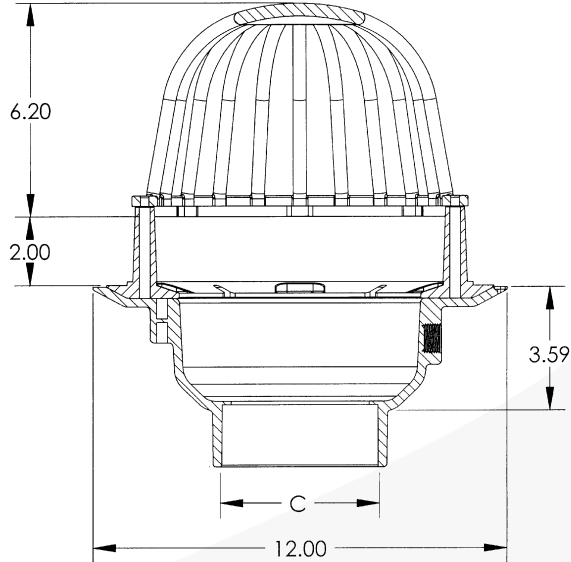
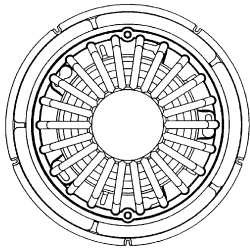
## 88000 Series ABS Roof Drains With Dome And Dam Collar



### SUBMITTAL SPECIFICATION

**Engineering Specification:** The Oatey Roof Drain offers superior drainage with robust debris protection. A dome free-flow area over 200 square inches, available in cast iron or plastic domes with 2 inch water dam collar.

Job Reference



(All dimensions in inches)

- Primer tap knock-out is 1/2 in. FIP thread.

✓	Socket Size (C)	Base Material	Dome Material	Part Number
	2 in.*	ABS	ABS Plastic	88032
	2 in.*	ABS	Cast Iron	88042
	3 in.	ABS	ABS Plastic	88033
	3 in.	ABS	Cast Iron	88043
	4 in.	ABS	ABS Plastic	88034
	4 in.	ABS	Cast Iron	88044
	6 in.	ABS	ABS Plastic	88036
	6 in.	ABS	Cast Iron	88046

\*2 in. base includes 3 in. x 2 in. bushing.

Dome Properties	
Finish	Open Area
ABS Plastic	200.00 in. <sup>2</sup>
Cast Iron	200.00 in. <sup>2</sup>